



## MODEL# (DSS-5500) & (DSS-7000) ROLL OUT DRAWER STORAGE SYSTEM

DSS-5500 = 5500 Lb/Drawer Capacity

DSS-7000 = 7000 Lb/Drawer Capacity

### APPLICATIONS:

- \* Heavy-Duty Sheet Metal Storage
- \* Drop Off Storage
- \* Large and Small Part Organization and Storage
- \* Stores Stainless Steel, Steel, Aluminum, Plastic, Brass, Wood, Etc.

### BENEFITS:

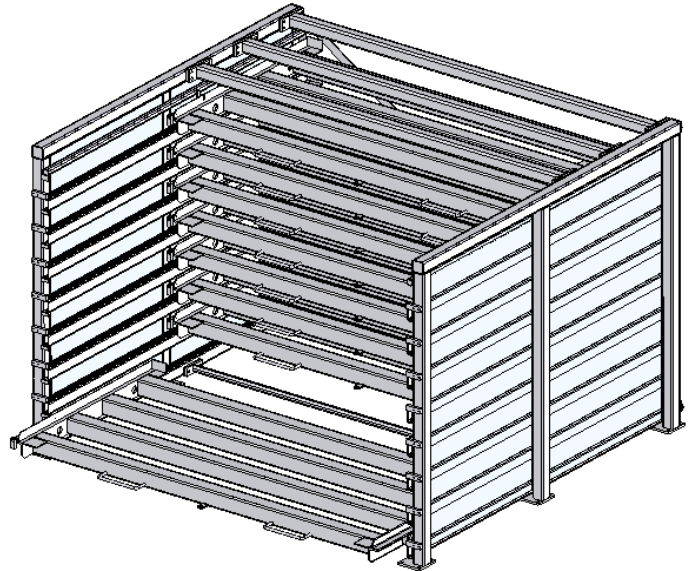
- \* Facilitates Safe Storage
- \* Increased Efficiency
- \* Maximizes Floor Space
- \* Improved Housekeeping
- \* Operator Freindly (no sharp edges)
- \* Easy To Assemble

### CONSTRUCTION:

- \* Standard Unit 7' Tall x 5 Drawers
- \* Available in 4'x8', 5'x10' and 6'x12' Drawers
- \* Quality Carbon Steel Construction
- \* 5,500 Lb. Capacity Per Drawer (4'x8' and 5'x10')
- \* 7,000 Lb. Capacity Per Drawer(6'x12')(7' & 8' Tall)
- \* Drawer Easily Pulls Out On Roller Bearings
- \* 100% Drawer Extension For Full Accessibility
- \* Drawers Lock In Open and Closed Position
- \* Standard Color - White Frame with Blue Drawers

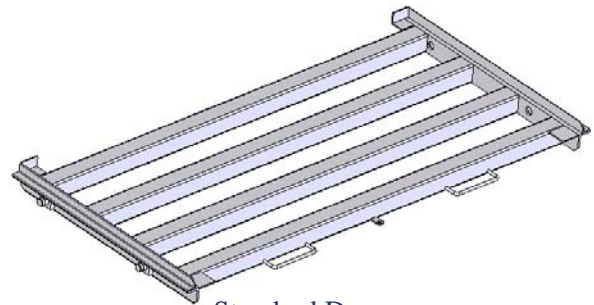
### OPTIONS:

- \* Folding Sides (OPT-5500-PACK-01 or 02 or 03)  
(maximizes floor space when not in use)
- \* Plastic Lined Drawers (OPT-5500-PACK-04 or 05 or 06)
- \* Variable Spacing and Number Of Drawers  
Available (OPT-5500-PACK-08 or 09 or 10)
- \* Custom Paint (OPT-5500-PACK-12)
- \* 14 Ga. Sheet Steel Lined Drawers  
(OPT-5500-14 or 15 or 16)
- \* Expeded Metal Sides



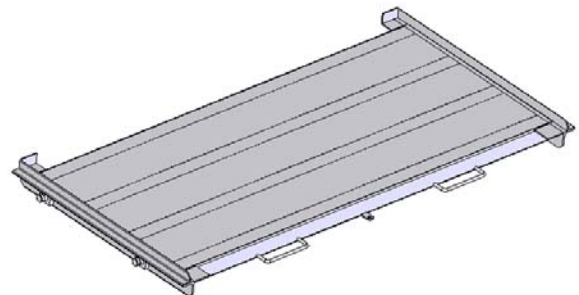
7' Tall x 8 Drawer Unit Shown  
With Solid Sides

(Standard Unit Has 5 Drawers)



Standard Drawers

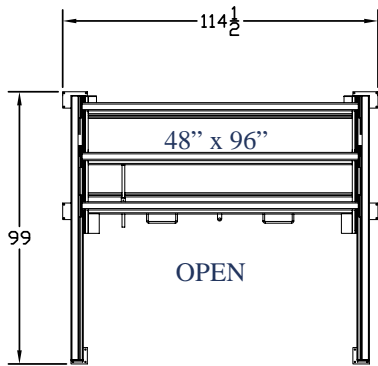
Available In 4'x8', 5'x10' and 6'x12'



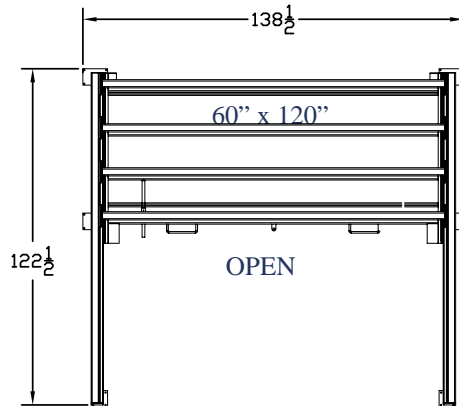
Optional 14 Ga. Sheet Metal Lined Drawers  
(OPT-5500-PACK-14 or 15 or 16)



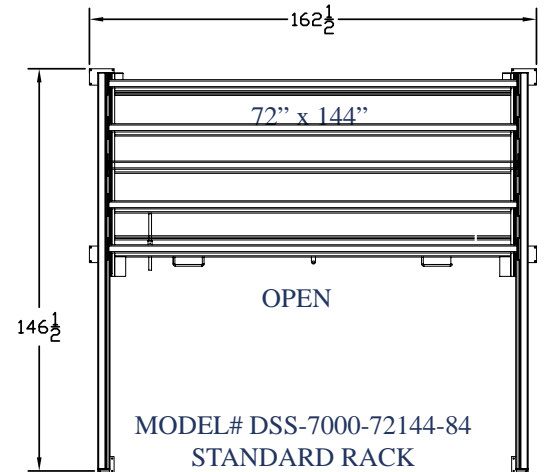
# HEAVY-DUTY ROLL OUT DRAWER STORAGE SYSTEM



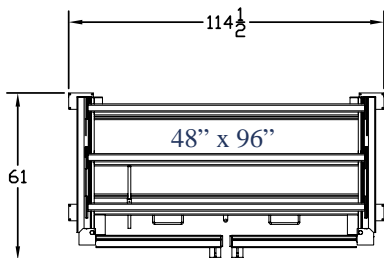
MODEL# DSS-5500-4896-84  
STANDARD RACK  
WITH SOLID SIDES



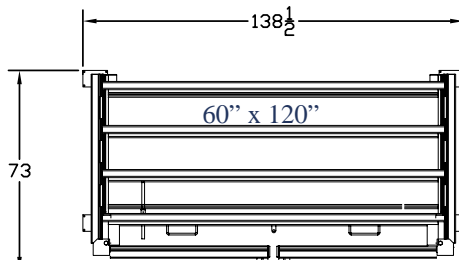
MODEL# DSS-5500-60120-84  
STANDARD RACK  
WITH SOLID SIDES



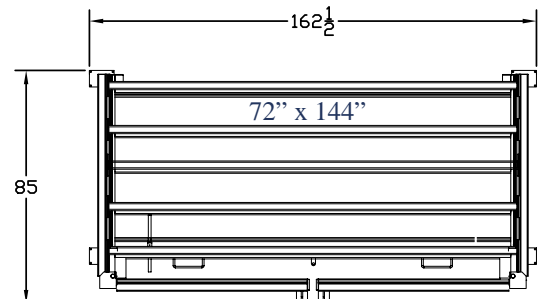
MODEL# DSS-7000-72144-84  
STANDARD RACK  
WITH SOLID SIDES



MODEL# DSS-5500-4896-84  
WITH OPTIONAL  
FOLDING SIDES



MODEL# DSS-5500-60120-84  
WITH OPTIONAL  
FOLDING SIDES



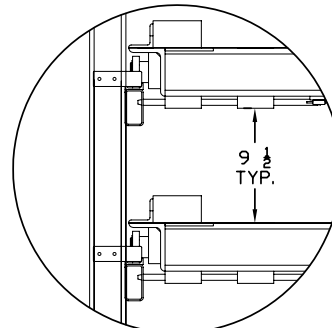
MODEL# DSS-7000-72144-84  
WITH OPTIONAL  
FOLDING SIDES



7' STANDARD HEIGHT SHOWN  
8', 9' AND 10' AVAILABLE  
WITH OPTIONAL DRAWERS

ACTUAL HEIGHT  
CLEARANCE REQUIRED

- 7' = 91"
- 8' = 103"
- 9' = 115"
- 10' = 127"



9-1/2" STANDARD DRAWER  
SPACING